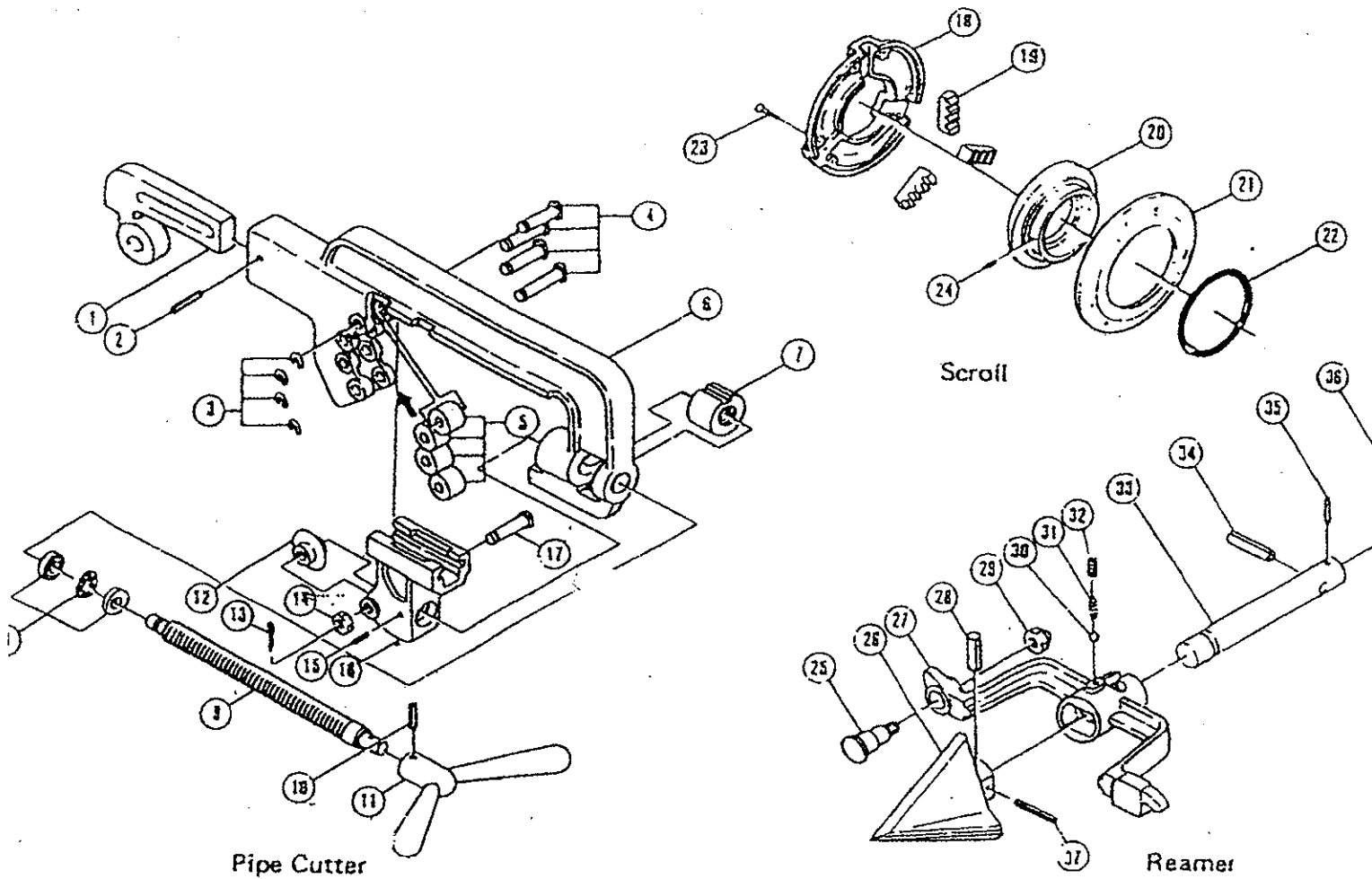
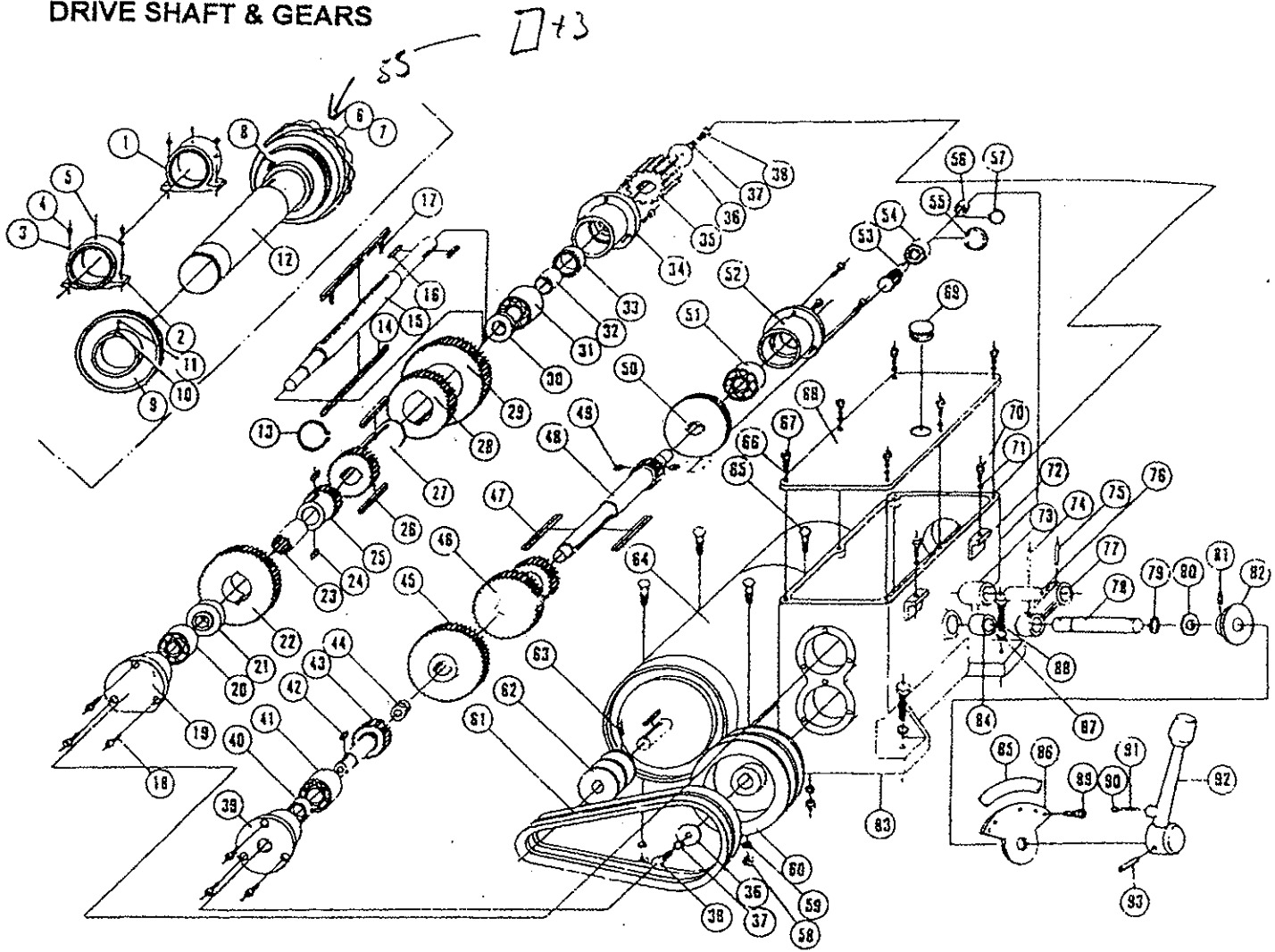


ROTHENBERGER SUPERTRONIC 4SB Pipe Threading Machine PIPE CUTTER, SCROLL & REAMER



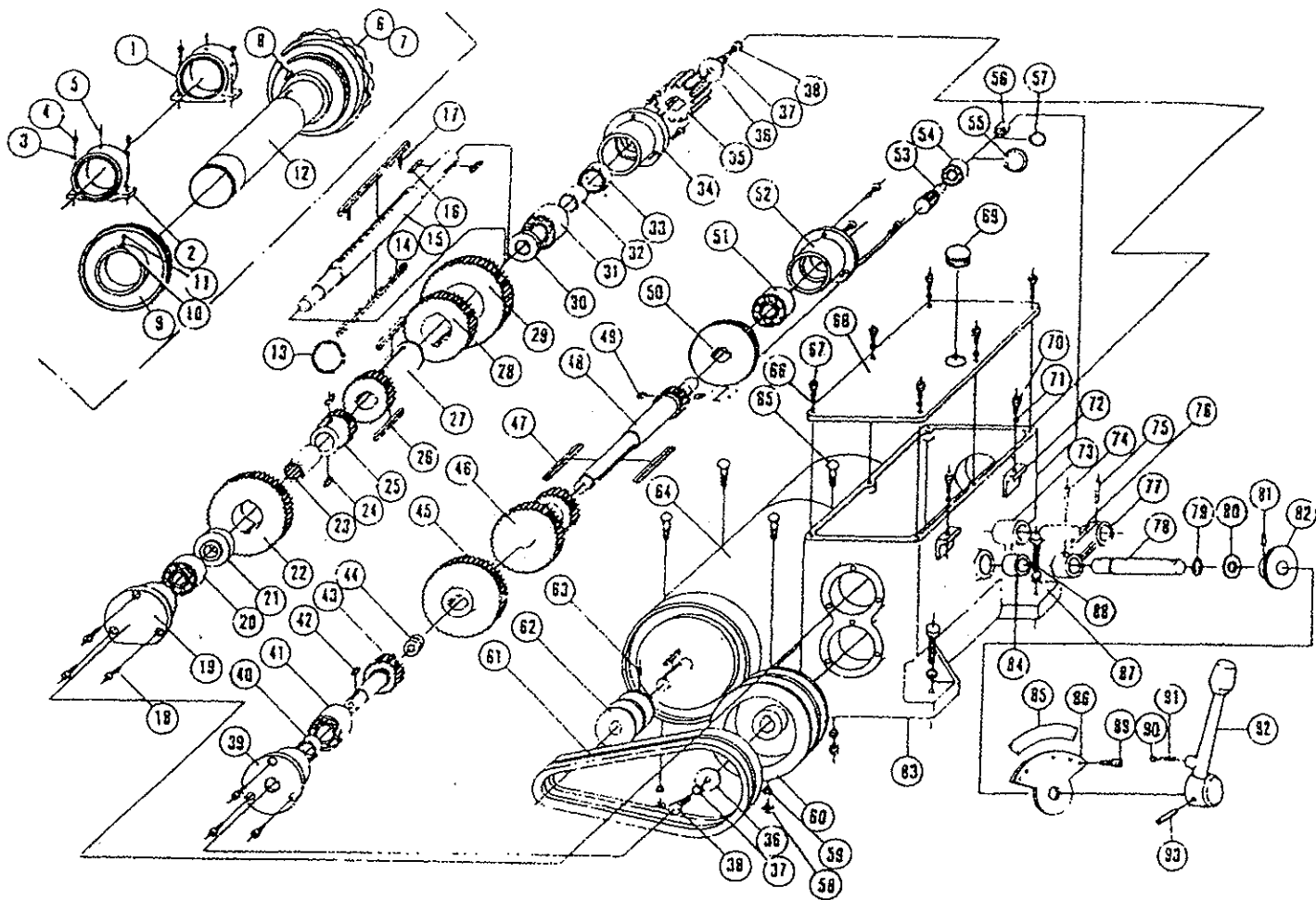
No.	Description	Code	Roth Part No	No.	Description	Code	Roth Part No
1	Cutter Bracket	04511	83189	41			
2	R Pin 6 x 30	83042	83502	42			
3	E Snap Ring	83318	80389	43			
4	Roller Set Pin	21508	80171	43			
5	Cutter Roller	01510	83488	44			
6	Cutter Body	04501	83188	45			
7	Sleeve	04509	83187	46			
8	Thrust Bearing 51101	84119	80369	47			
9	Feed Screw	04503	80237	48			
10	R Pin 6 x 24	83038	80408	48			
11	Cutter Handle	08503	83027	50			
12	Cutter Blade No 3	04510	56044	51			
13	Split Pin 2 x 15	83372	83586	52			
14	Hex Nut 6	81019	83490	53			
15	Hex Screw 6 x 18	80387	83584	53			
16	Cutter Blade Holder	04502	83059	53			
17	Blade Set Pin	21511	80170	54			
18	Scroll Body	04301	80139	55			
19	Scroll Jaws (3 pcs/set)	04307	83892	56			
20	Scroll	04311	80352	57			
21	Scroll Cap	04302	83068	58			
22	Scroll Packing	04309	83893	59			
23	Cap Screw 6 x 18	82262	83894	60			
24	R Pin 6 x 20	83036	80407	61			
25	Reamer Set Pin	01605	80431	62			
26	Reamer Blade	04603	83055	63			
27	Reamer Holder	04601	80363	64			
28	R Pin 10 x 40	83059	83895	65			
29	U Nut 10	81041	83896	66			
30	Steel Ball 1/4	88572	80260	67			
31	Spring	01604	83887	68			
32	Hex Screw 8 x 8	80367	83898	Set	Pipe Cutter Complete	04500	80089
33	Reamer Shaft	04602	80075	Set	Scroll Complete	70109	84258
34	R Pin 10 x 50	83060	83070	Set	Reamer Complete	04600	80432
35	R Pin 5 x 24	83022	83899	*	Hammer Chuck Scroll	88175	80103
36	Reamer Cap		80108	*			
37	R Pin 6 x 50	83069	83900	*			
38				*			
39				*			
40				*			

ROTHENBERGER SUPERTRONIC 4SB Pipe Threading Machine DRIVE SHAFT & GEARS



No.	Description	Code	Roth Part No	No.	Description	Code	Roth Part No
1	Front Bearing Complete	70019	83039	41	Ball Bearing	84132	83849
2	Rear Bearing Complete	70020	83038	42	Parallel Key	83259	83843
3	Spring Washer 10	81115	83561	43	Input Shaft	04205	83061
4	Hex Bolt 10 x 35	80056	83903	44	Needle Bearing N A4902	84148	83064
5	Grease Nipple 1/8	84231	83539	45	Second Reduction Gear	04206	83857
6	Hammer Chuck Complete	88158	83180	46	Shift Gear	04207	83858
7	Hammer Chuck Jaws (3 pcs/set)	88581	80042	47	Parallel Key	83262	83859
8	Parallel Key	83266	83830	48	Middle Shaft	04203	83860
9	Spindle Gear	04243	83831	49	Parallel Key	83258	83861
10	Spring Washer 8	81114	83641	50	Pump Gear	04208	83862
11	Hex Bolt 8 x 20	80035	83778	51	Ball Bearing #6303	84129	83062
12	Spindle Shaft	04248	83833	52	Input Shaft Housing-B	04225	83063
13	Snap Ring S-40	83310	83866	53	Pump Pinion	04209	83864
14	Parallel Key	83265	83834	54	Ball Bearing #6200	84128	83865
15	Output Shaft	04204	80217	55	Snap Ring S-40		
16	Parallel Key	83260	83835				
17	Parallel Pin 3 x 34	88393	83836				
18	Pan Head Screw	82209	83837				
19	Output Shaft Housing-A	04226	83838				
20	Ball Bearing	84129	83062				
21	Input Spacer	04218	83840				
22	First Reduction Gear	04210	83891				
23	Needle Bearing TLAW2030	84127	83842				
24	Parallel Key	83259	83843				
25	Second Reduction Pinion	04211	83063				
26	Parallel Key	83261	83844				
27	High Speed Shift Gear	04212	83845				
28	Medium Speed Shift Gear	04239	83846				
29	Low Speed Shift Gear	04240	83847				
30	Output Spacer	04219	83848				
31	Ball Bearing 5204	84132	83849				
32	Collar	04217	83850				
33	Oil Seal	84053	83851				
34	Output Shaft Housing-B	04227	83852				
35	Spindle Pinion	04214	83853				
36	Washer	04221	83854				
37	Spring Washer 8	81114	83641				
38	Hex Bolt 8 x 20	80035	83779				
39	Input Shaft Housing A	04224	83855				
40	Oil Seal	84052	83856				
				56	Hammer chuck saw	-	80042

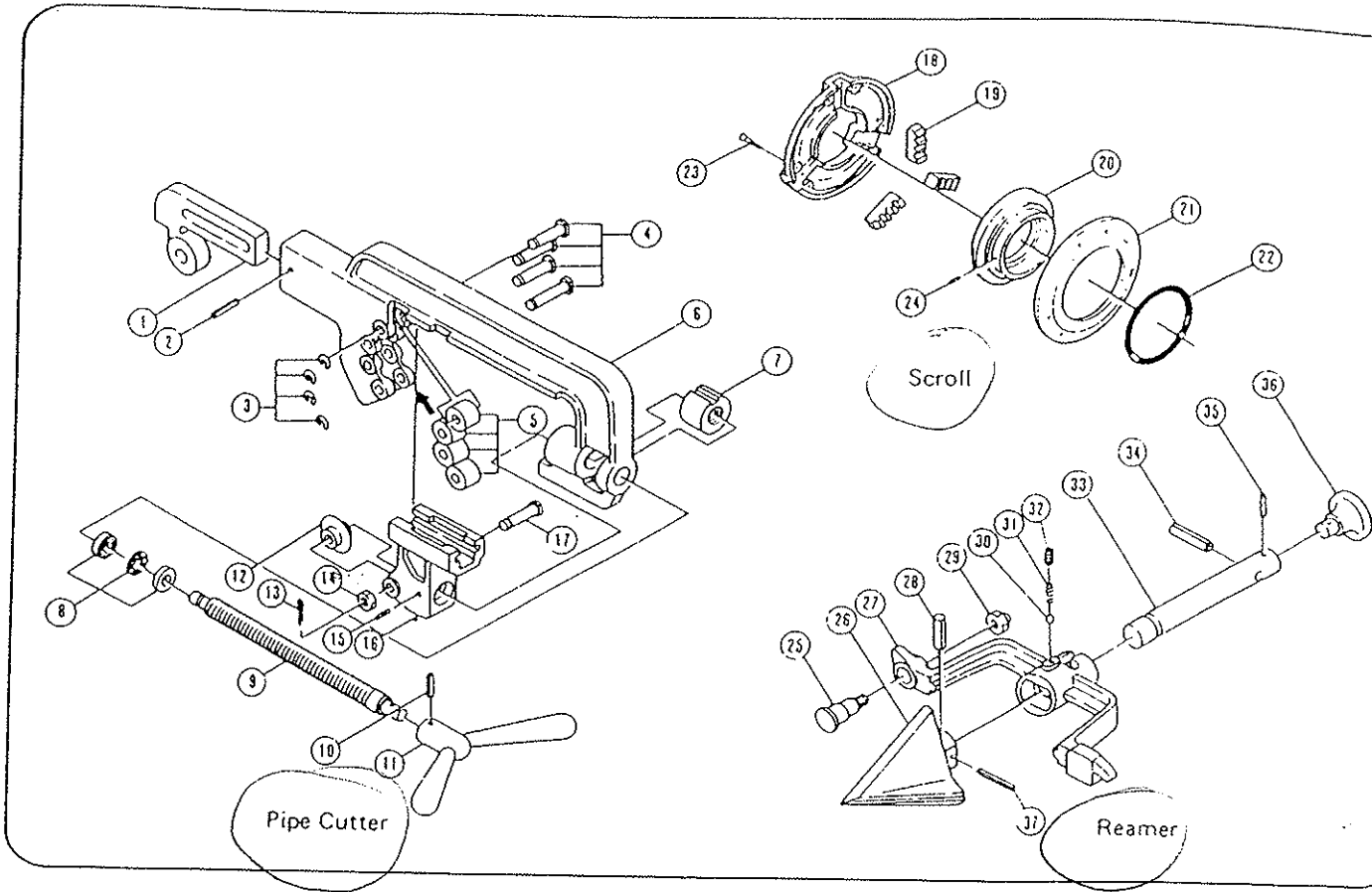
ROTHENBERGER SUPERTRONIC 4SB Pipe Threading Machine DRIVE SHAFT & GEARS



No.	Description	Code	Roth Part No	No.	Description	Code	Roth Part No
56	Support Ring	04220	83867				
57	Snap Ring S-10	83902	83868				
58	Hex Nut 8	81009	83652				
59	Spring Washer 6	81114	83641				
60	V Sheave (Gear Box Side)	04223	83870				
61	V Belt A-25	88502	80331				
62	V Sheave (Motor Side)	04238	83671				
63	Hex Screw 5 x 8	80354	83872				
64	Motor		80071				
65	Cap Screw	04241	83873				
66	Spring Washer 8	81113	83562				
67	Pan Head Screw 6 x 16	82206	83939				
68	Gear Box Lid	04249	83182				
69	Oil Cap	84241	83875				
70	Pan Head Screw 6 x 15	82189	83917				
71	Spring Washer 6	81113	83562				
72	Gear Box Support Plate	04237	83877				
73	Shift Roller	04235	83878				
74	Tapered Pin 5 x 40	83244	83879				
75	R Pin 5 x 30	83026	83880				
76	Shift Pin	04234	83881				
77	Shift Link	04233	83185				
78	Gear Shift Shaft	04232	83184				
79	O Ring P-14	84002	83971				
80	Thrust Washer	04245	80238				
81	R Pin 5 x 20	83020	84137				
82	Gear Shift Support	04247	83884				
83	Gear Box	04201	83885				
84	Collar	04244	83886				
85	Speed Scale Plate	04236	83887				
86	Gear Shift Plate	04250	83888				
87	Spring Washer 10	81113	83562				
88	Hex Bolt 10 x 35	80056	83903				
89	Pan Head Screw 6 x 15	82189	83917				
90	Steel Ball	88574	83160				
91	Spring	01235	84014				
92	Shift Lever	18219	80350				
93	R Pin 6 x 80	83065	83159				

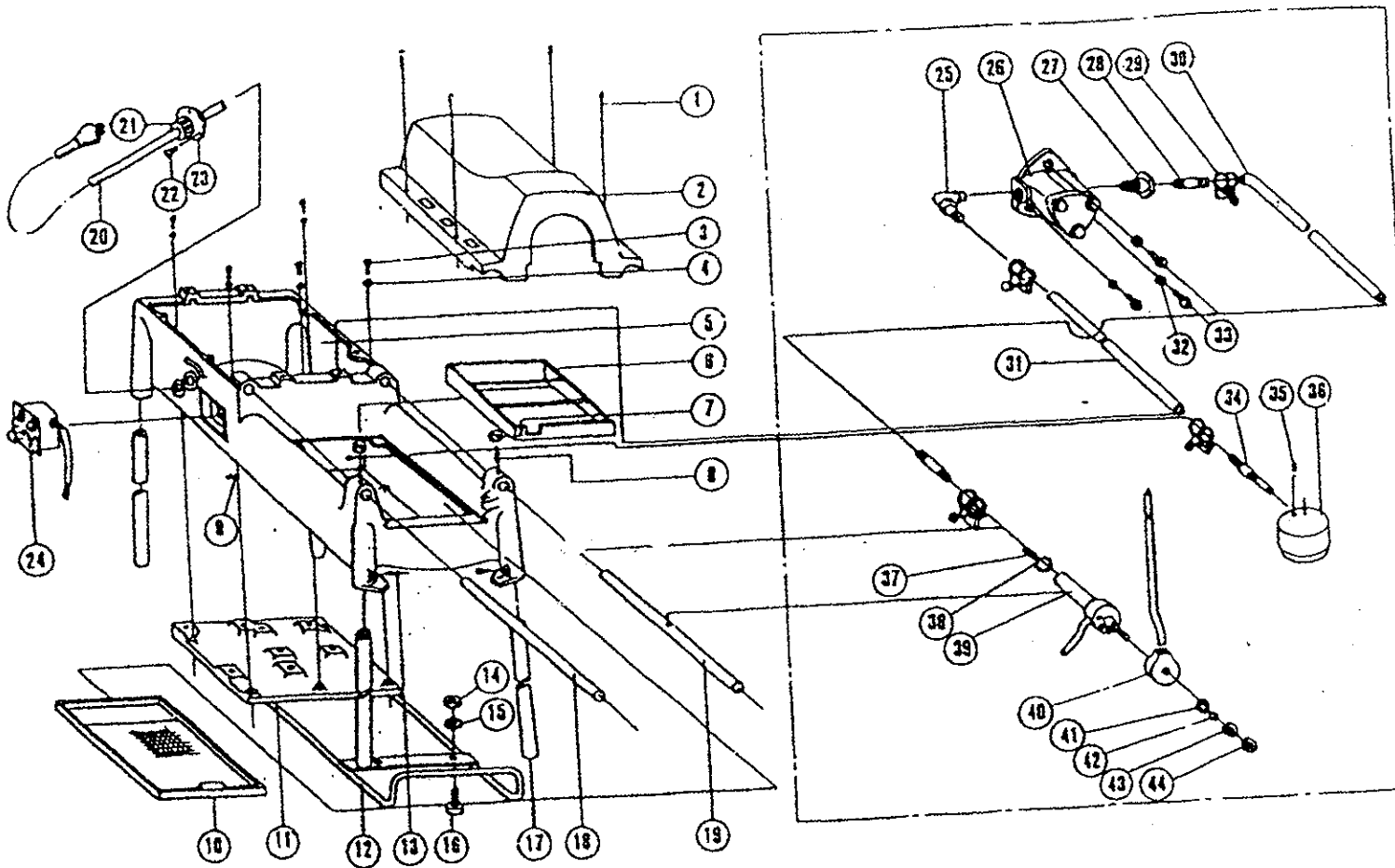
PISET 4S-B

Pipe Cutter, Scroll & Reamer



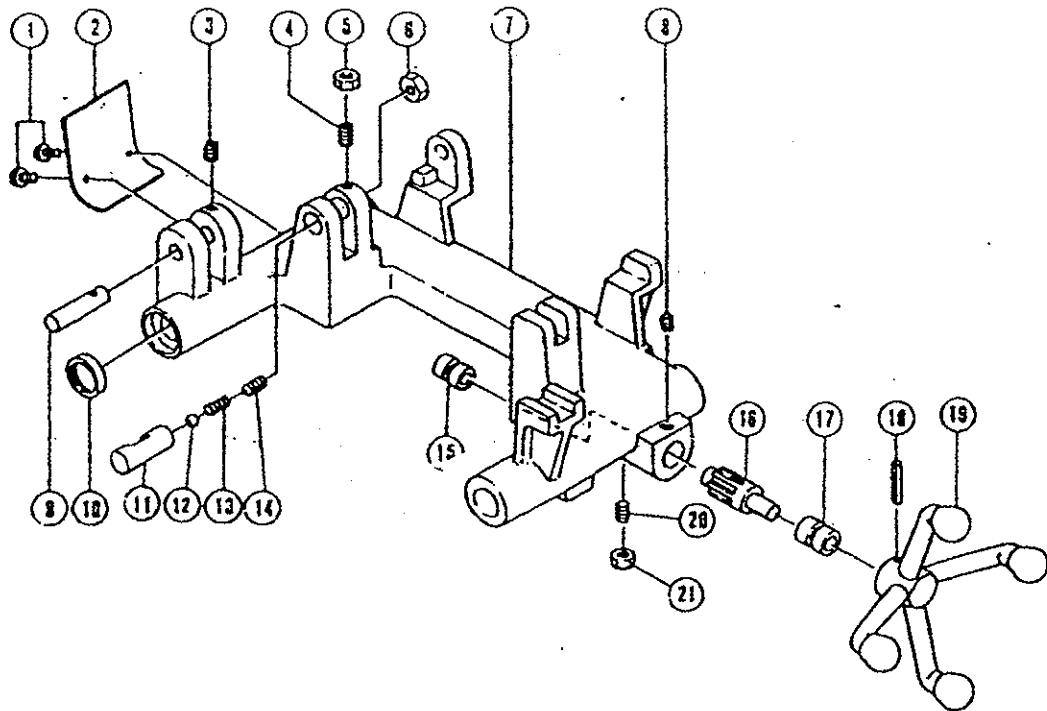
NO.	PARTS NAME	QTY	CODE No.	Roch. Pt. No.	NO.	PARTS NAME	QTY	CODE NO.	Roch. Pt. N.
Set	Pipe Cutter Complete		04500	800891	28	R-Pin 10 x 40	1	83059	8389
1	Cutter Bracket	1	04511	831891	29	U-Nut 10	1	81041	8389
2	R-Pin 6 x 30	1	83042	83897	30	Steel Ball 1/4	1	88572	8026
3	E-Snap Ring	4	83318	80369	31	Spring	1	01604	8389
4	Roller Set Pin	4	21508	80171	32	Hex Screw 8 x 8	1	80367	8389
5	Cutter Roller	4	01510	83486	33	Reamer Shaft	1	04602	8007
6	Cutter Body	1	04501	83188	34	R-Pin 10 x 50	1	83060	8389
7	Sleeve	1	04509	83187	35	R-Pin 5 x 24	1	83022	8389
8	Thrust Bearing 51101	1	84119	80389	36	Reamer Cap	1	08603	8010
9	Feed Screw	1	04503	80237	37	R-Pin 6 x 50	1	83069	8390
10	R-Pin 6 x 24	1	83038	80408	Set	Reamer Shaft Complete (31)-(36)	1	88730	
11	Cutter Handle	1	08503	83027	*	Cutter Roller for Coated Pipe	4	22518	8390
12	Cutter Blade No. 3	1	04510	56044		Hammer chuck scroll			80103
13	Split Pin 2 x 15	1	83372	83586		Cutter Holder WASHER	1	57528	86617
14	Hex Nut 6	1	81019	83490					
15	Hex Screw 6 x 16	1	80387	83584					
16	Cutter Blade Holder	1	04502	83059					
17	Blade Set Pin	1	21511	80170					
Set	Scroll Complete	1	70109	84258					
18	Scroll Body	1	04301	80139					
19	Scroll Jaws (3 pcs/set)	1 set	04307	83892					
20	Scroll	1	04311	80352					
21	Scroll Cap	1	04302	83068					
22	Scroll Packing	1	04309	83893					
23	Cap Screw 6 x 18	6	82262	83894					
24	R-Pin 6 x 20	2	83036	80407					
Set	Reamer Complete		04600	80432					
25	Reamer Set Pin	1	01605	80431					
26	Reamer Blade	1	04603	83055					
27	Reamer Holder	1	04601	80363					

ROTHENBERGER SUPERTRONIC 4SB Pipe Threading Machine Frame & Oil Circulating System



No.	Description	Code	Roth Part No	No.	Description	Code	Roth Part No
1	Stop Bolt 6 x 45	80171	83902	40	Oil Pipe Complete	88741	83922
2	Top Cover	04738	83194	41	Washer	81147	83923
3	Hex Bolt 10 x 35	80056	83903	42	Spring Washer	81114	83641
4	Spring Washer 10	81113	83562	43	Hex Nut 8	81020	83507
5	Frame	04747	88001	44	Hex Nut 8	81026	83924
6	Chip Pan	04707	83195	45			
7	U Nut 8-(1)	81040	83629	46			
8	Hex Screw 8 x 25	80422	83717	47			
9	Plug 1/8	84248	83625	48			
10	Chip Pan Net	04706	83060	49			
11	Gear Box Set Plate	04721	83905	50			
12	Carry Handle	N/A		51			
12	Carry Handle with Wheel	N/A		52			
13	Stop Bolt 10 x 25	80189	83723	53			
14	Hex Nut 10	81016	83360	53			
15	Washer 10	81226	87156	53			
16	Stop Bolt 10 x 25	80189	83723	54			
17	Legs (4 pcs/set)	04741	83911	55			
18	Guide Bar F	04703	83198	56			
19	Guide Bar R	04737	83197	57			
20	Power Cord	01718	83000	58			
21	Connector SC-2	87953		59			
22	Cap Screw 3 x 8	82172	83913	60			
23	Connector Plate	87953	83737	61			
24	Power Switch Complete	86926	80221	62			
25	M F Elbow	85019	83915	63			
26	Trochoid Pump Top 13A	84207	83020	64			
27	Bushing 1/8 x 1/8	85015	83916	65			
28	Hose Joint	01417	80218	66			
29	Hose Band	85601	83049	67			
30	Wire Blade Hose 670	85401	83048	68			
31	Wire Blade Hose 560	85401	83048	Set			
32	Spring Washer	81113	83562	Set			
33	Pan Head Screw 6 x 15	82189	83917	*			
34	Suction Pipe	01416	83918	*			
35	Pan Head Screw 6 x 8	82207	83580	*			
36	Strainer	18331	83198	*			
37	Hex Screw 8 x 10	80368	83510	*			
38	O Ring	84012	83920	*			
39	Valve Pin	04413	83921	*			

ROTHENBERGER SUPERTRONIC 4SB Pipe Threading Machine CARRIAGE



No.	Description	Code	Roth Part No	No.	Description	Code	Roth Part No
1	Pan Head Screw 6 x 10	82200	83874	41			
2	Splashproof Plate	04414	83925	42			
3	Hex Screw 8 x 12	80369	83630	43			
4	Hex Screw 8 x 16	80371	83590	43			
5	Hex Nut 8	81020	83507	44			
6	Hex Nut 12	81011	83133	45			
7	Carriage Complete	88948	83201	46			
8	Hex Plug PT1/8 x 8	84251	83929	47			
9	Cutter Pin	20403	83203	48			
10	Oil Seal	84061	83087	49			
11	Die Head Set Pin	22402	83129	50			
12	Steel Ball 5/16	88573	83015	51			
13	Spring	22404	83131	52			
14	Oil Adjust Screw	22403	83931	53			
15	Pinion Metal	21415	83932	53			
16	Pinion	21414	83200	53			
17	Pinion Sleeve	28405	83519	54			
18	R Pin 6 x 35	83083	83934	55			
19	Rack Handle	04403	80141	56			
20	Hex Screw 6 x 18	80400	83585	57			
21	Hex Nut 6	81016	83380	58			
22				59			
23				60			
24				61			
25				62			
26				63			
27				64			
28				65			
29				66			
30				67			
31				68			
32				Set			
33				Set			
34				.			
35				.			
36				.			
37				.			
38				.			
39				.			
40				.			