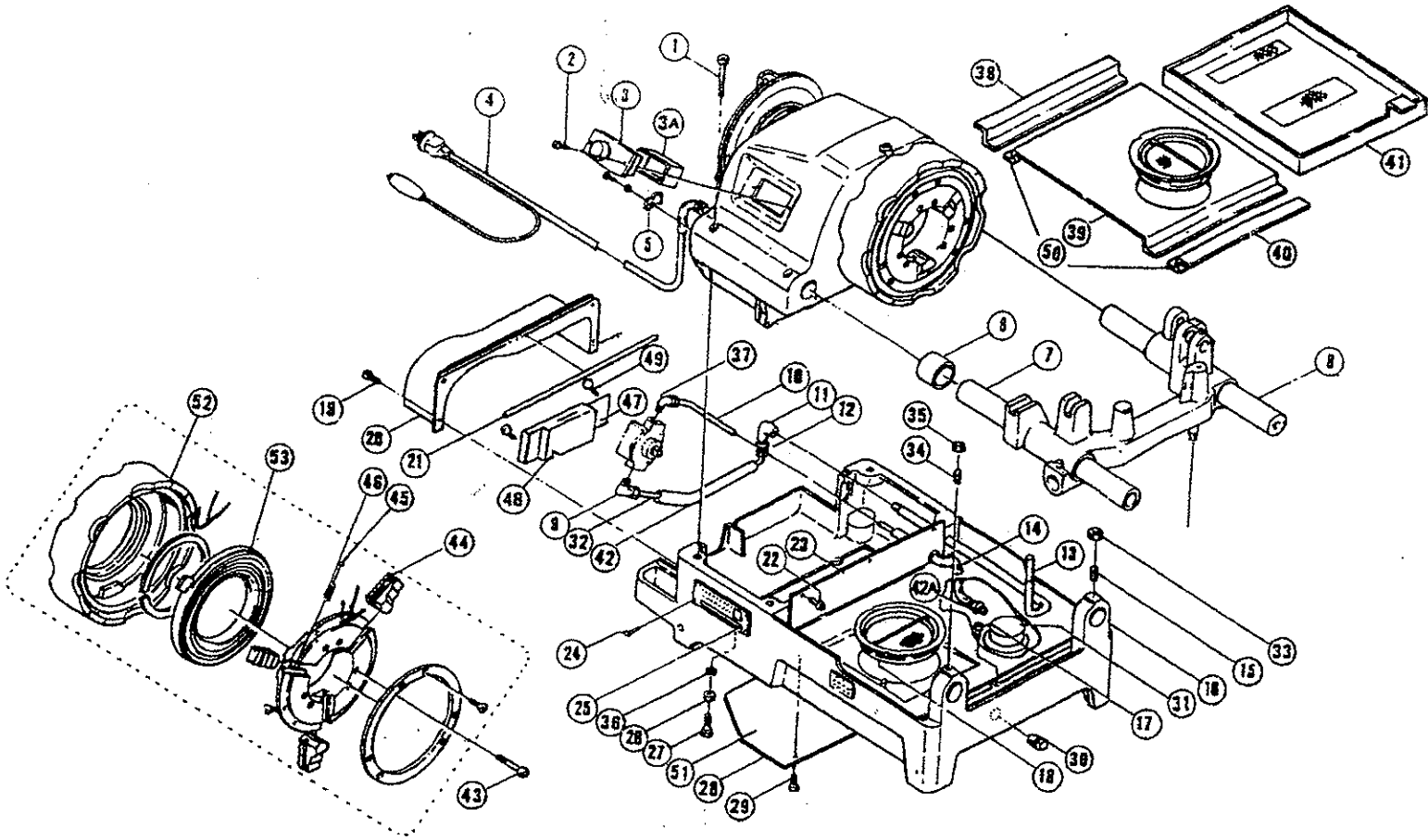
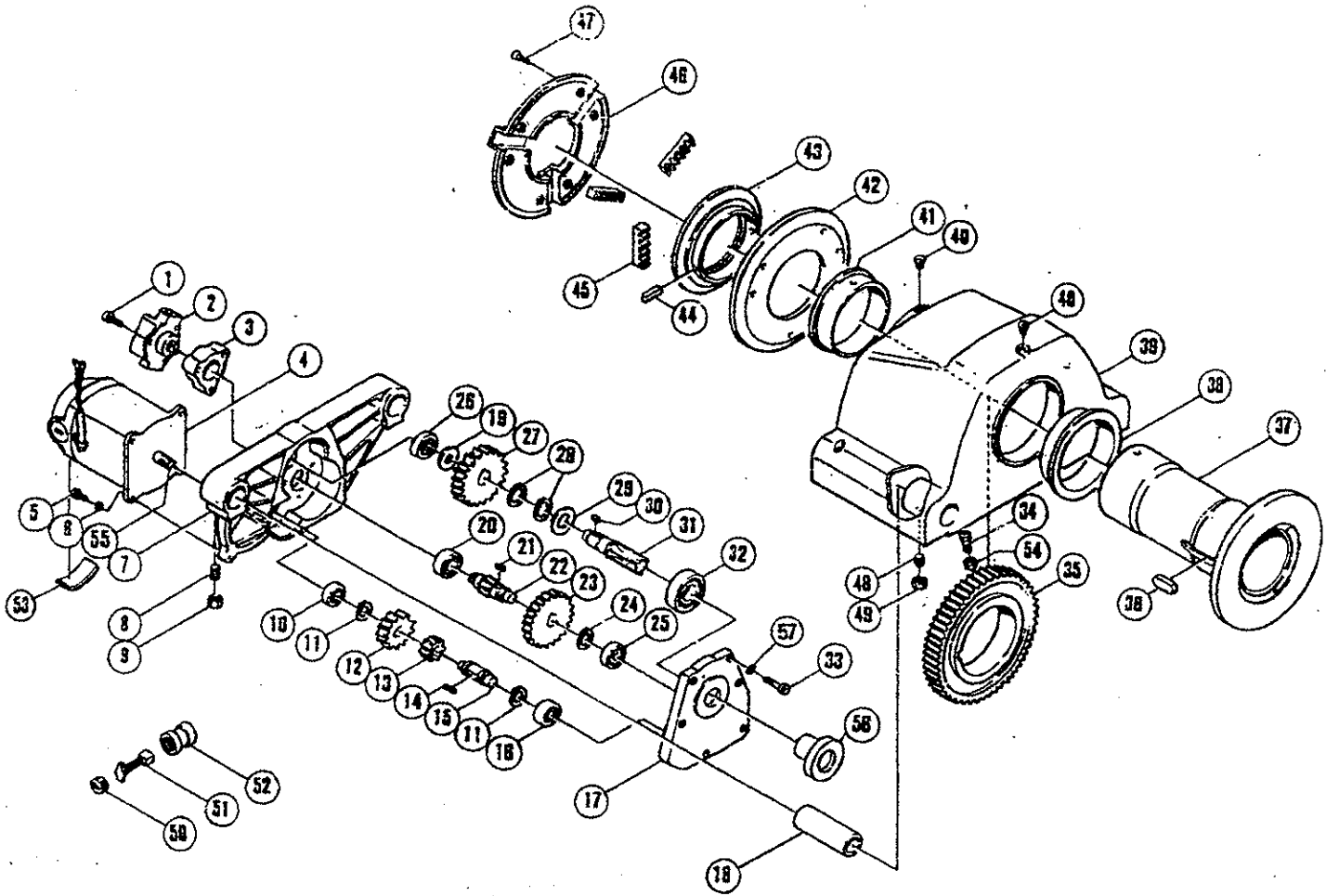


ROTHENBERGER PISET 90 Pipe Threading Machine FRAME & OIL CIRCULATING SYSTEM



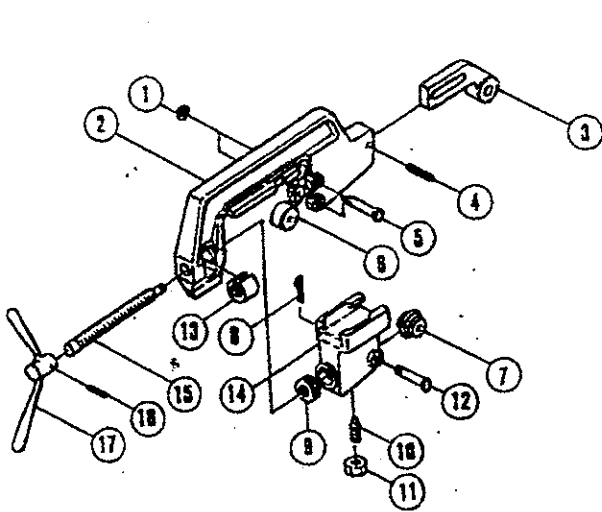
| No. | Description | Code | Roth Part No | No. | Description | Code | Roth Part No |
|-----|-----------------------|-------|--------------|-----|--------------------------------|-------|--------------|
| 1 | Stop Bolt 8 x 60 | 80185 | 83661 | 36 | Spring Washer 8 | 81119 | 83680 |
| 2 | Pan Head Screw 4 x 15 | 82215 | 83081 | 37 | M - Elbow 1/4x1/8 | 85022 | 83681 |
| 3 | Power Switch | 87001 | 80380 | 38 | See Set Complete | N/A | N/A |
| 4 | Power Cord | 22725 | 83083 | 39 | See Set Complete | N/A | N/A |
| 5 | Tube Hook | 19722 | 87044 | 40 | See Set Complete | N/A | N/A |
| 6 | Stop Collar | 16712 | 87079 | 41 | Chip Pan | 20729 | 83685 |
| 7 | Guide bar (F) | 20705 | 83663 | 42 | Protection Tube 12x14 | 85409 | 83686 |
| 8 | Guide bar (R) | 20706 | 83664 | 42A | M - Connector-3/8x1/4 | 85004 | 83622 |
| 9 | M-Elbow 3/8x1/8 | 85028 | 83022 | 43 | Stop Bolt 6 x 55 | 80173 | 84246 |
| 10 | Tube 3/8 | 85407 | 83678 | 44 | Hammer Chuck Jaws (set of 3) | 88545 | 80403 |
| 11 | Elbow 1/8x1/8 | 85009 | 83569 | 45 | Steel Ball | 88573 | 83015 |
| 12 | Connector 1/4 x 1/8 | 85001 | 83023 | 46 | Spring | 88199 | 83643 |
| 13 | Oiling Pipe | 20418 | 87080 | 47 | Motor Cover | 20740 | 87085 |
| 14 | Protection Tube 10x14 | 85409 | 83686 | 48 | Motor Cover Rubber | 20741 | 87086 |
| 15 | Hex Screw 8 x 18 | 80423 | 83666 | 49 | Pan Head Screw 6x10 | 82201 | 83514 |
| 16 | Frame | 20701 | 83667 | 50 | Rubber Seal L=230 | 20733 | 87087 |
| 17 | Pan Head Screw 6 x 12 | 82202 | 83668 | 51 | Soundproof Rubber | 20715 | 87088 |
| 18 | Strainer | 19717 | 83153 | 52 | Hammer Chuck Outer Ring | 88188 | 87089 |
| 19 | Pan Head Screw 6 x 10 | 82201 | 83514 | 53 | Hammer Chuck Scroll | 88173 | 80410 |
| 20 | Motor Cover | 20707 | 83150 | Set | Frame Complete | 20700 | 83677 |
| 21 | Rubber Seal 6 x 300 | N/A | N/A | Set | Oil Tank Lid Complete | 20919 | 81000 |
| 22 | Pan Head Screw 6 x 10 | 82201 | 83514 | Set | Hammer Chuck Complete | 88559 | 80314 |
| 23 | Oil Cover | 20711 | 83670 | | | | |
| 24 | Plate Tack 2 x 4.8 | 83355 | 83239 | | | | |
| 25 | Machine Plate | 20718 | 83671 | | | | |
| 26 | Hex Nut 8 | 81009 | 83652 | | | | |
| 27 | Hex Bolt 8 x 30 | 80038 | 83672 | | | | |
| 28 | Soundproof Plate | 20712 | 83017 | | | | |
| 29 | Pan Head Screw 6 x 10 | 82201 | 83514 | | | | |
| 30 | Oil Tank Plug 1/2 | 84249 | 83575 | | | | |
| 31 | Filter Set Complete | 06418 | 83025 | | | | |
| 32 | Tube N2-1-1/4 | 85402 | 83021 | | | | |
| 33 | Hex Nut 8-3 | 81020 | 83507 | | | | |
| 34 | Hex Screw 8 x 22 | 80420 | 83679 | | | | |
| 35 | U - Nut 8-1 | 81040 | 83629 | | | | |

ROTHENBERGER PISET 90 Pipe Threading Machine DRIVE SHAFT & GEARS

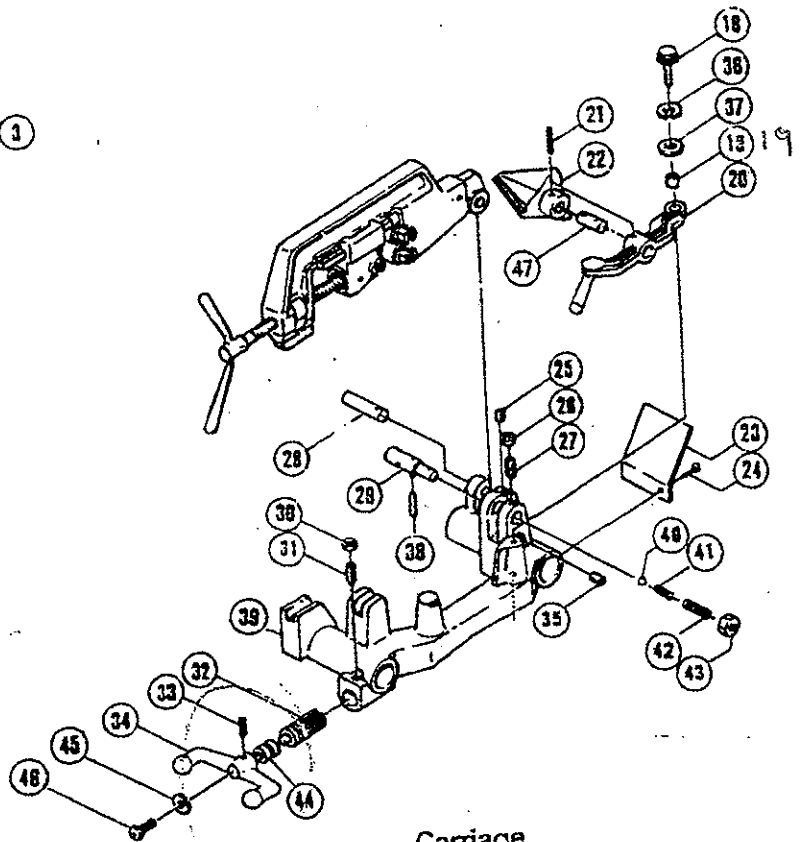


| No. | Description | Code | Roth Part No | No. | Description | Code | Roth Part No |
|-----|----------------------|-------|--------------|-----|---------------------------|-------|--------------|
| 1 | Stop Bolt 6 x 40 | 80408 | 83687 | 32 | Ball Bearing | 84134 | 83603 |
| 2 | Trochoid Pump 18A | 84211 | 80287 | 33 | Stop Bolt 6 x 25 | 80167 | 83706 |
| 3 | Pump Bracket | 20216 | 83688 | 34 | Stop Bolt 6 x 12 | 80162 | 83707 |
| 4 | Motor 240 Volts | 70728 | 87091 | 35 | Spindle Gear | 20213 | 83086 |
| 4 | Motor 110 Volts | 70723 | 83985 | 36 | Key 12x8x29 | 83272 | 83595 |
| 5 | Stop Bolt 5 x 25 | 80205 | 83607 | 37 | Spindle | 80217 | 83709 |
| 6 | Spring Washer 5-2 | 81112 | 84761 | 38 | Metal (F) | 20703 | 83031 |
| 7 | Gear Case | 20201 | 83689 | 39 | Top Cover | 20702 | 83152 |
| 8 | Hex screw 8 x 20 | 80373 | 83628 | 40 | Grease Nipple 1/8 | 84231 | 83539 |
| 9 | Hex Nut 8 - 3 | 81009 | 83652 | 41 | Metal (R) | 20704 | 83030 |
| 10 | Ball Bearing | 84101 | 83690 | 42 | Scroll Cap | 08302 | 83710 |
| 11 | Snap Ring S-16 | 83322 | 83637 | 43 | Scroll | 20308 | 80406 |
| 12 | 1st Reduction Gear | 20205 | 83691 | 44 | R - Pin 6 x 12 | 83031 | 80348 |
| 13 | 1st Reduction Pinion | 20204 | 83692 | 45 | Scroll Jaws (3 per set) | 02308 | 80404 |
| 14 | Key 5x5x30 | 20206 | 83693 | 46 | Scroll Body | 20301 | 80080 |
| 15 | First Shaft | 20203 | 83694 | 47 | Cap Screw 8 x 20 | 82011 | 83711 |
| 16 | Ball Bearing | 84105 | 82554 | 48 | Hex screw 8 x 13 | 80372 | 83712 |
| 17 | Gear Case Cover | 20202 | 83695 | 49 | Hex Nut 8 | 81009 | 83652 |
| 18 | Gear Case Hold Bar | 20713 | 83696 | 50 | Carbon Cap | 87505 | 83560 |
| 19 | Thrust Washer | 81170 | 83697 | 51 | Carbon Brush | 70706 | 84241 |
| 20 | Ball Bearing | 84106 | 83598 | 52 | Carbon Holder | 70707 | 87074 |
| 21 | Key 5x5x13 | 20209 | 83698 | 53 | Motor Plate | 20716 | 83713 |
| 22 | 2nd Reduction Pinion | 20207 | 83699 | 54 | Hex Nut 6 | 81004 | 83714 |
| 23 | 2nd Reduction Gear | 20208 | 83700 | 55 | Armature 110 Volts | 70761 | 87073 |
| 24 | Snap Ring S-8 | 83306 | 86732 | 55 | Armature 240 Volts | 70765 | 83617 |
| 25 | Ball Bearing | 84105 | 82554 | 56 | Output Shaft Collar | 20228 | 87094 |
| 26 | Ball Bearing | 84102 | 83702 | 57 | Spring Washer | 70152 | |
| 27 | 3rd Reduction Gear | 20219 | 83703 | | Field Coil 110 Volts | | 84201 |
| 28 | Snap Ring S - 20 | 83307 | 83599 | | Field Coil 240 Volts | | 83557 |
| 29 | Thrust Washer | 81169 | 83704 | Set | Scroll Complete | 20300 | 83140 |
| 30 | Key 6x6x13.5 | 20212 | 83601 | | | | |
| 31 | Output Pinion | 20218 | 83119 | | | | |

**ROTHENBERGER PISET 90 Pipe Threading Machine
PIPE CUTTER,REAMER & CARRIAGE**



Pipe Cutter



Carriage

| No. | Description | Code | Roth Part No | No. | Description | Code | Roth Part No |
|-----|----------------------|-------|--------------|-----|----------------------|-------|--------------|
| 1 | Snap Ring | 83318 | 80369 | 36 | Spring Washer 14 | 81196 | 87020 |
| 2 | Cutter Body | 20501 | 83141 | 37 | Washer 14 | 81157 | 83525 |
| 3 | Cutter Bracket | 20507 | 83142 | 38 | Vyni Pipe 6x8x65 | 85406 | 83592 |
| 4 | R - Pin 6 x 30 | 83042 | 83502 | 39 | Carriage Complete | 88784 | 83147 |
| 5 | Roller Set Pin | 21508 | 80171 | 40 | Steel Ball 5/16 | 88573 | 83015 |
| 6 | Cutter Roller | 02501 | 80059 | 41 | Spring | 22404 | 83131 |
| 7 | Cutter Blade No 3 | 04510 | 56044 | 42 | Oil Adjust Screw | 20410 | 83657 |
| 8 | Pin 2 x 15 | 83372 | 83586 | 43 | Hex Nut 12 | 81025 | 83658 |
| 9 | Thrust Bearing | 84119 | 80389 | 44 | Pinion Metal | 16403 | 83503 |
| 10 | Hex Screw 6 x 16 | 80387 | 83584 | 45 | Spring Washer 5 | 81125 | 83500 |
| 11 | Hex Nut 6 | 81019 | 83490 | 46 | Button Screw 5 x 16 | 82255 | 83499 |
| 12 | Cutter Blade Set Pin | 21511 | 80170 | 47 | Reamer Joint | 20603 | 83028 |
| 13 | Steeve | 08505 | 83482 | | | | |
| 14 | Cutter Blade Holder | 20502 | 83058 | | | | |
| 15 | Feed Screw | 02502 | 87077 | | | | |
| 16 | R - Pin 6 x 24 | 83038 | 80408 | Set | Pipe Cutter Complete | 20500 | 83146 |
| 17 | Cutter Handle | 08503 | 83027 | Set | Pipe Reamer Complete | 08600 | 83788 |
| 18 | Flange Bolt 10x35 | 80089 | 83126 | | | | |
| 19 | Spacer | 29603 | 80094 | | | | |
| 20 | Reamer Holder | 20602 | 83145 | | | | |
| 21 | R - Pin 8 x 32 | 83051 | 83650 | | | | |
| 22 | Reamer Blade | 08604 | 83143 | | | | |
| 23 | Splashproof Plate | 20407 | 83593 | | | | |
| 24 | Cap Screw 6x10 | 82115 | 83651 | | | | |
| 25 | Hex Screw 8 x 10 | 80368 | 83510 | | | | |
| 26 | Hex Nut 8 | 81020 | 83507 | | | | |
| 27 | Hex Screw 8 x 12 | 80369 | 83630 | | | | |
| 28 | Cutter Set Pin | 20403 | 83203 | | | | |
| 29 | Die - Head Set Pin | 51410 | 83148 | | | | |
| 30 | Hex Nut 8 | 81009 | 83652 | | | | |
| 31 | Hex Screw 8 x 22 | 80420 | 86379 | | | | |
| 32 | Rack Pinion | 29402 | 83504 | | | | |
| 33 | R-Pin 6 x 30 | 83042 | 83502 | | | | |
| 34 | Rack Handle | 16404 | 83501 | | | | |
| 35 | Hex Screw 6 x 8 | 80359 | 83655 | | | | |